



111 Corning Rd, Suite 116 • Cary, NC 27518

LCD217-101CTL1ART

10.1" Edge Lit High Bright Wide Gamut w/PCAP

1920\*1200

## Table of contents

Approvals.....	3
Revision History.....	4
Document Revision.....	4
Hardware Revision .....	4
General Specifications .....	5
Block Diagram.....	6
Pin Out-LCD.....	7
Pin Out – PCAP.....	9
Absolute Max Ratings – LCD.....	9
Absolute Max Ratings – PCAP.....	10
Electrical Characteristics - LCD .....	10
Electrical Characteristics – PCAP .....	11
Backlight Specifications.....	11
Backlight – ZHR-2 pinout.....	11
Timing Specifications - LCD.....	12
LVDS Timing.....	12
Power ON/OFF Sequence .....	13
Timing Specifications – PCAP.....	14
Optical Characteristics.....	15
Packaging.....	19
Quality & Inspection Criteria .....	21
Terminologies:.....	21
Inspection Conditions.....	25
Acceptance Criteria Table.....	26
Appendix 1: Mechanical Drawing .....	28

## Approvals

Approvals	
Model Number	LCD217-101CTL1ART
Datasheet Revision	R1.1
Drawing Revision	C

Lincoln Technology Solutions  
Confidential

Customer	
Approved by: _____	Date: _____

## Revision History

### Document Revision

Date	Version #	Description	Created By	Checked By	Approved By
9/08/2022	R1.0	Release	SS	KB	JH
1/16/2023	R1.1	Updated driver IC from ST5892B to HX8290-B in general specifications and timing specifications. Updated Rx, Ry, Gx, Gy, Bx, By, Wx, Wy values in Optical Characteristics section. Changed document version number to R1.1.	MA	DA	JH

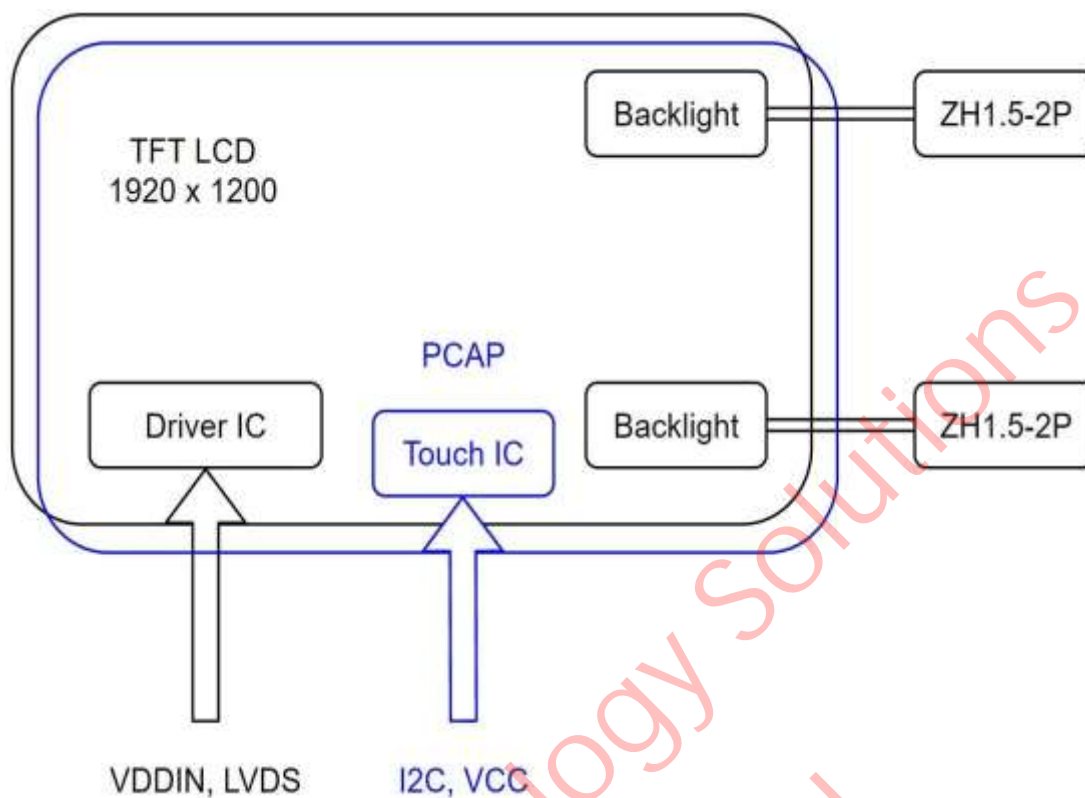
### Hardware Revision

Date	Version #	Description
8/19/2022	R1.0	Production Release

## General Specifications

Item	Specification	Unit
Outline Dimensions	246.16 (H) X 164.80 (V) X 7.15(D)	mm
Display Size	10.1	inches
Active Area	216.81 (H) X 135.50 (V)	mm
Sub Pixel Pitch	37.64 (H) X 112.92 (V)	um
Number of Dots	1920 (H) X 1200 (V)	-
LCD Type	TFT LCD 8bit 16.7M colors	-
Display mode	Normally Black	-
Backlight Type	Edge Lit	-
Viewing Direction	Free	-
Touch Panel	PCAP GT928	-
Luminance	1000	cd/m <sup>2</sup>
Interface	LVDS – Sitronix ST5892B	-
Surface Treatment	AR	-
Operating	-20 to 70	°C

## Block Diagram



Lincoln Technology Solutions  
Confidential

## Pin Out-LCD

The 10.1" LCD has a Hirose 45 position, 0.5mm pitch, MPN: FH34SRJ-45S-0.5SH(50)

**Note:** First pin name is the LTS pin name but for clarity, we are providing the second pin name based on the OpenLDI spec.

Number	Symbol	I/O	Description
1	NC	-	Reserved (No connection)
2	NC	-	Reserved (No connection)
3	NC	-	Reserved (No connection)
4	NC	-	Reserved (No connection)
5	NC	-	Reserved (No connection)
6	GND	P	Ground
7	ELV3P / A7P	I	Even LVDS Positive Data Signal +
8	ELV3N / A7P	I	Even LVDS Negative Data Signal -
9	GND	P	Ground
10	ELV2P / A6P	I	Even LVDS Positive Data Signal +
11	ELV2N / A6N	I	Even LVDS Negative Data Signal -
12	GND	P	Ground
13	ELVCLKP / CLK1P	I	Even LVDS Positive CLK Signal +
14	ELVCLKN / CLK1N	I	Even LVDS Negative CLK Signal -
15	GND	P	Ground
16	ELV1P / A5P	I	Even LVDS Positive Data Signal +
17	ELV1P / A5N	I	Even LVDS Negative Data Signal -
18	GND	P	Ground
19	ELV0P / A4P	I	Even LVDS Positive Data Signal +
20	ELV0P / A4N	I	Even LVDS Negative Data Signal -
21	GND	P	Ground

22	OLV3P / A3P	I	Even LVDS Positive Data Signal +
23	OLV3N / A3N	I	Even LVDS Negative Data Signal -
24	GND	P	Ground
25	OLV2P / A2P	I	Even LVDS Positive Data Signal +
26	OLV2N / A2N	I	Even LVDS Negative Data Signal -
27	GND	P	Ground
28	OLVCLKP / CLK0P	I	Even LVDS Positive CLK Signal +
29	OLVCLKN / CLK0N	I	Even LVDS Negative CLK Signal -
30	GND	P	Ground
31	OLV1P / A1P	I	Even LVDS Positive Data Signal +
32	OLV1N / A1N	I	Even LVDS Negative Data Signal -
33	GND	P	Ground
34	OLV0P / A0P	I	Even LVDS Positive Data Signal +
35	OLV0N / A0N	I	Even LVDS Negative Data Signal -
36	GND	P	Ground
37	NC	-	Reserved (No connection)
38	NC	-	Reserved (No connection)
39	NC	-	Reserved (No connection)
40	NC	-	Reserved (No connection)
41	VDDIN	P	Power Supply (3.3V)
42	VDDIN	P	Power Supply (3.3V)
43	VDDIN	P	Power Supply (3.3V)
4	VDDIN	P	Power Supply (3.3V)
45	VDDIN	P	Power Supply (3.3V)



## Pin Out – PCAP

The PCAP tail has gold plated contacts spaced at 0.5mm pitch. It is recommended to use a mating connector such as Hirose 6 position, 0.5mm pitch, MPN: FH34SRJ-6S-0.5SH(50).

Number	Symbol	I/O	Description
1	VCC	P	Power Supply (3.3V)
2	RSTN	I	Reset signal (1.8V)
3	INT	O	Interrupt out (1.8V)
4	SCL	I	Serial Clock (1.8V)
5	SDA	I/O	Serial Data (1.8V)
6	GND	P	Ground

## Absolute Max Ratings – LCD

Item	Symbol	Value	Unit
Power Supply Voltage	VDDIN	-0.3 – 3.6	V
Operating Temperature	Topr	-20 to 70	°C
Storage Temperature	Tstg	-30 to 80	°C
Operating Humidity	Hop	10 to 90	%RH

## Absolute Max Ratings – PCAP

Item	Symbol	Value	Unit
Operating Voltage	VCC	-0.3 – 3.47	V
I/O Supply Voltage	IOVCC	-0.3 – 3.47	V

## Electrical Characteristics - LCD

Item	Symbol	Min	Typ	Max	Unit	Test Condition
Power Supply Voltage	VDDIN	2.8		3.3	V	-
Power Supply Current	IDD	-	300	360	mA	Note 1
Power Consumption	PLCD	-	1	1.2	W	
Rush Current	IRUSH	-	-	3.0	A	Note 2
Input Voltage	Vih	2.7	-	3.3	V	-
	Vil	0	-	0.5	V	-
Output Voltage	Voh	2.7	-	3.3	V	-
	Vol	0	-	0.5	V	-

Notes:

1. The current draw and power consumption specified is for VDDIN = 3.3V, Frame rate Fv = 60Hz and Clock frequency = 80MHz.
2. The duration of rush current is about 2ms and rising time of Power input is 1ms(min).

## Electrical Characteristics – PCAP

Item	Symbol	Min	Typ	Max	Unit	Test Condition
Power Supply Voltage	VCC	2.8		3.3	V	-
I/O Supply Voltage	IOVCC	-	1.8	1.9	V	-
Power Supply Current	ICC	-	13.37	-	mA	Ta = 25 °C
Input Voltage	Vih	0.75*IOVCC	-	IOVCC+0.3	V	-
	Vil	-0.3	-	0.25*IOVCC	V	-
Output Voltage	Voh	0.85*IOVCC	-	-	V	-
	Vol	-	-	0.15*IOVCC	V	-

## Backlight Specifications

This design has 2 LED rails to achieve maximum brightness. JST ZH series connectors were chosen for ease of integration. The backlight wiring has been pinned out to a 2 position, 1.5 mm pitch connector with part number ZHR-2, an example mating connector part number is S2B-ZR-SM2-TF. The supply current mentioned below is the sum, i.e., 143mA per backlight connector is required for a total of 286mA (typical) at 1000NITS.

Item	Symbol	Min	Typ	Max	Unit	Condition
Supply Voltage	Vf		28		V	
Supply Current	If	-	286	-	mA	1000 NITS

## Backlight – ZHR-2 pinout

Number	Name	I/O	Description
1	LEDA	P	BL Power positive
2	LEDK	P	BL Power negative

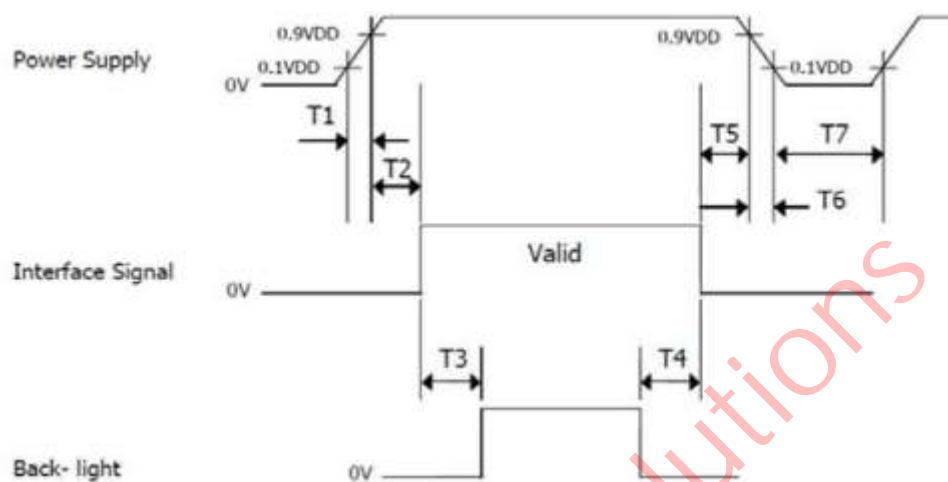
## Timing Specifications - LCD

Refer to Sitronix ST5892B datasheet.

### LVDS Timing

Symbol	Symbol	Min	Typ	Max	Unit
DCLK Frequency	Fdclk	74.5	77.56	85	MHz
Horizontal display area	Thd	960			DCLK
HSYNC period time	Th	989	1040	1248	DCLK
Horizontal blank	THB	29	80	288	DCLK
HSYNC pulse width	Thp	2	10	255	DCLK
HSYNC back porch	Thbp	3	6	255	DCLK
HSYNC front porch	Thfp	24	64	260	DCLK
Vertical display area	Tvd	1200			H
VSYNC period time	Tv	1243	1243	1560	H
Vertical blank	TVB	43	43	360	H
VSYNC pulse width	Tvp	4	4	20	H
VSYNC back porch	Tvbp	20	20	255	H
VSYNC front porch	Tvfp	19	19	260	H
Frequency	fV	-	60	-	Hz

## Power ON/OFF Sequence

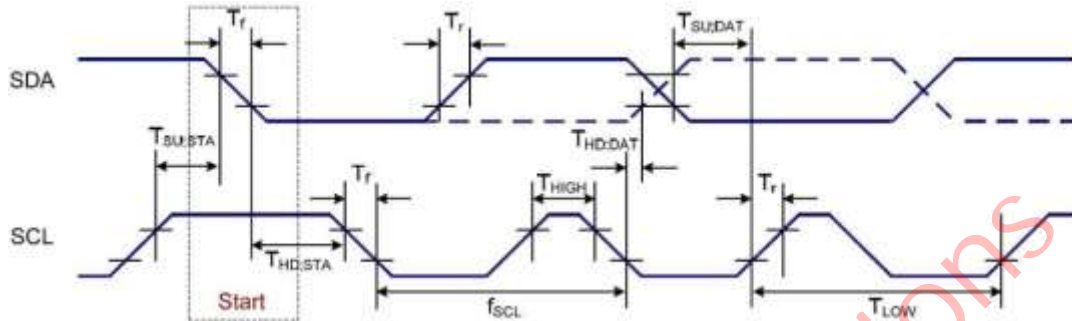


Parameter	Min	Typ	Max	Unit
T1	0	-	10	ms
T2	0	-	50	ms
T3	200	-	-	ms
T4	500	-	-	ms
T5	0	-	50	ms
T6	0	-	10	ms
T7	500	-	-	ms

## Timing Specifications – PCAP

Refer to GT928 datasheet.

Standardized timings provided for reference.



Symbol	Parameter	Min	Typ	Max	Unit
$f_{SCL}$	SCL clock frequency	50	100	400	kHz
$T_{LOW}$	SCL clock LOW period	1.3	-	-	us
$T_{HIGH}$	SCL clock HIGH period	0.6	-	-	us
$T_{SU;DATA}$	Data set-up time	100	-	-	ns
$T_{HD;DATA}$	Data hold time	0	-	0.9	us
$T_r$	SCL and SDA rise time	20	-	300	Ns
$T_f$	SCL and SDA fall time	20	-	300	Ns
$T_f$	SDA fall time for read out	20	-	1000	ns
$C_b$	Capacitive load represented by each bus line	-	-	400	pF
$T_{SU;STA}$	Setup time for a repeated START condition	0.6	-	-	us
$T_{HD;STA}$	START condition hold time	0.6	-	-	us
$T_{SU;STO}$	Setup time for STOP condition	0.6	-	-	us
$T_{SW}$	Tolerable spike width on bus	-	-	50	ns
$T_{BUF}$	BUS free time between a STOP and START condition	4.7	-	-	us

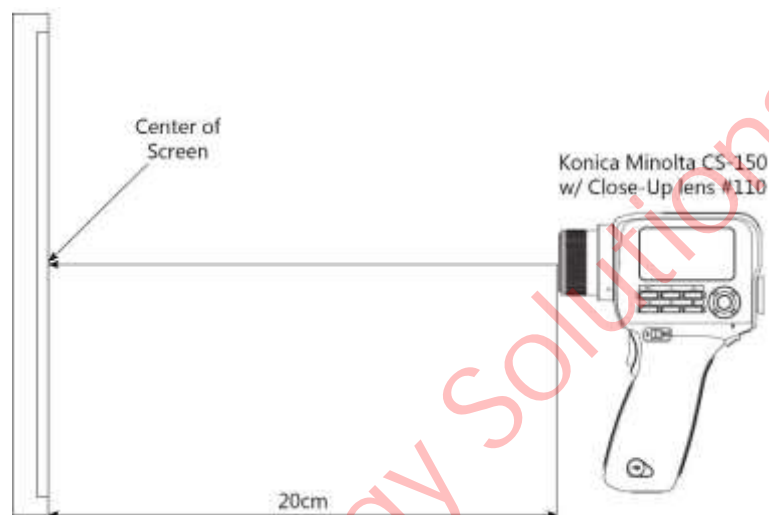
## Optical Characteristics

All measurements taken after minimum runtime of 25 minutes.

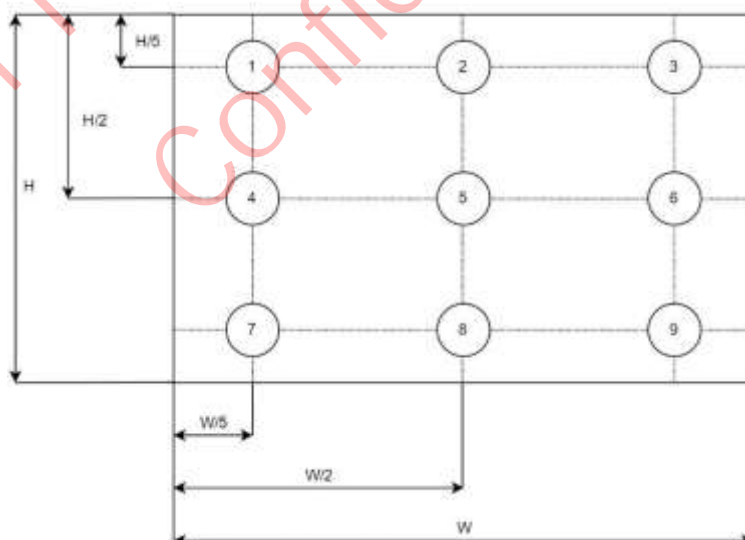
Item	Symbol	Conditions	Specification			Unit	Note
			Min	Typ	Max		
Response Time	Tr Tf	Ta = 25°C	-	30	35	ms	(1)(4)
Contrast Ratio	CR	Normal	700	900	-	-	(1)(3)(5)
Viewing Angle	Hor.	X-	70	80	-	Deg	(3)(5)
		X+	70	80	-	Deg	
	Ver.	Y+	70	80	-	Deg	
		Y-	70	80	-	Deg	
Chromaticity	Red	RX	-	.680	-	-	Ta = 25 °C
		Ry	-	.320	-	-	
	Green	GX	-	.214	-	-	
		Gy	-	.706	-	-	
	Blue	BX	-	.149	-	-	
		By	-	.082	-	-	
	White	WX	-	.310	-	-	
		Wy	-	.330	-	-	
Luminance	L	Ta = 25 °C	-	1000	-	cd/m2	(1)
Color Gamut Ratio DCI-P3			-	110	-	%	
Color Gamut Coverage DCI-P3			-	98	-	%	
Uniformity	U		75	80	-	%	(2)

**Note 1: Measurement setup**

The LCD module should be stabilized at a given temperature for 25 minutes to avoid abrupt temperature change during measurement. After temperature saturation measurement should be executed.

**Note 2: Brightness Uniformity**

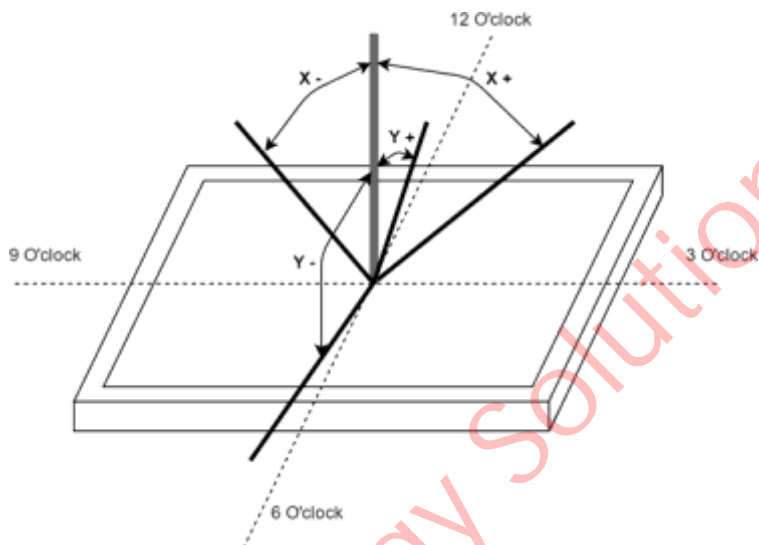
Brightness uniformity = (Minimum Luminance of 9 points / Max Luminance of 9 points) \* 100



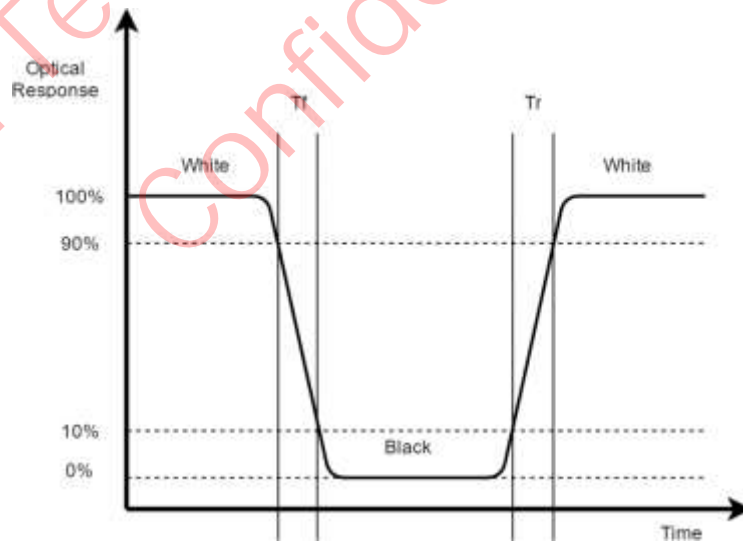


**Note 3: Viewing Angle**

Definition of viewing angle for Y+/- and X+/- is as follows.

**Note 4: Response Time**

Definition of response time as follows below.



**Note 5: Contrast Ratio**

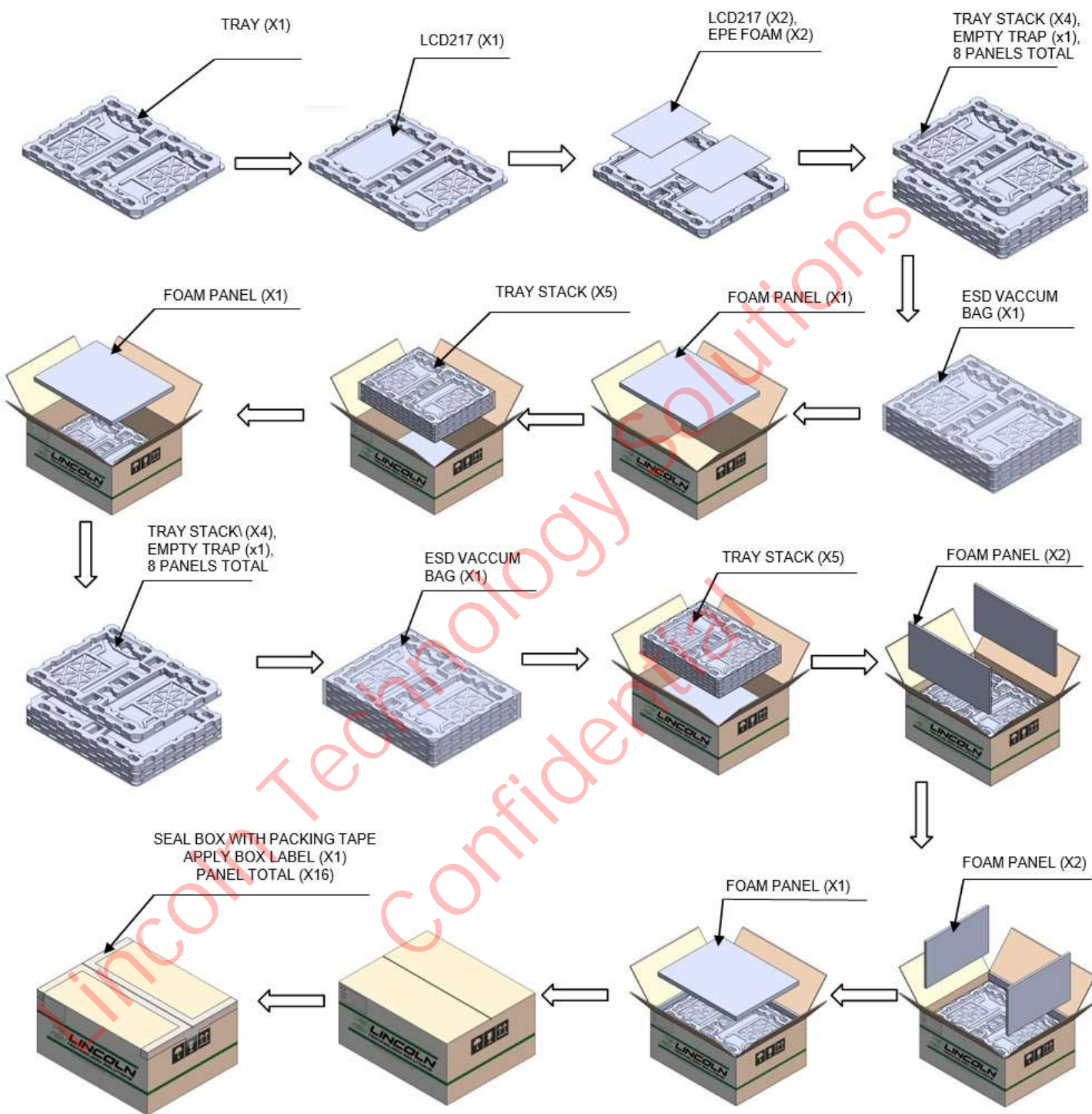
Definition of Contrast Ratio is as follows.

Contrast measurements shall be made at a viewing angle of 0° at the center of the surface.

$$\text{CR} = \frac{\text{Luminance when displaying White}}{\text{Luminance when displaying Black}}$$

Lincoln Technology Solutions  
Confidential

## Packaging

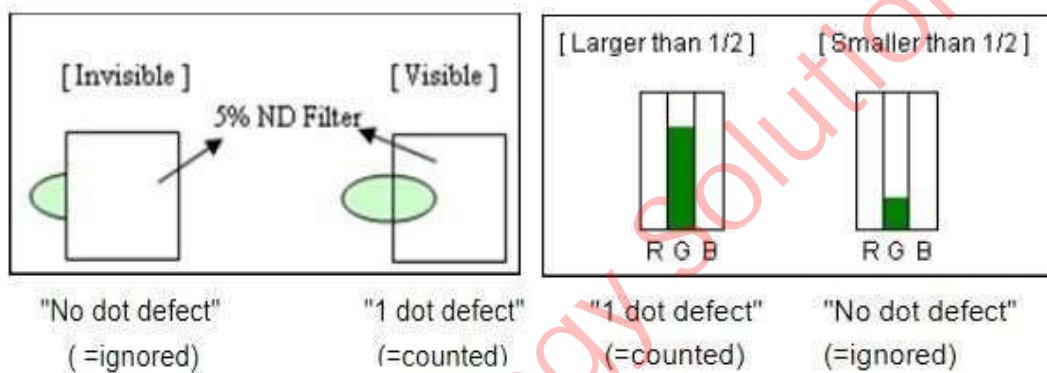


## Quality & Inspection Criteria

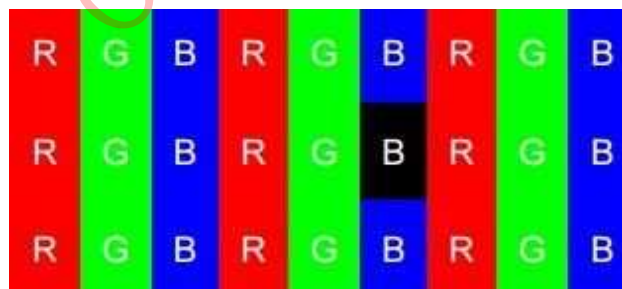
### Terminologies:

**LCD:** Liquid Crystal Display; Each pixel contains three dots of R, G, and B (sub-pixel).

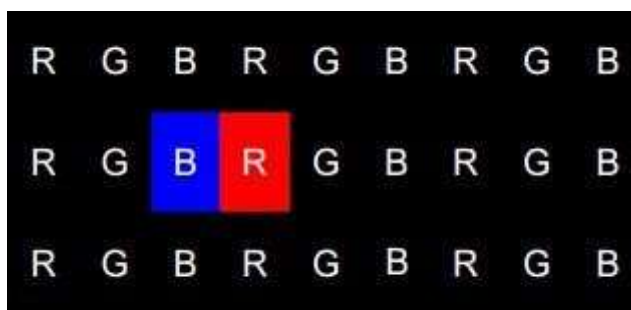
**Bright Dot:** 1 sub-pixel is a dot. Defects should be larger than 1/2 of a sub-pixel. Dots that are not visible through a 5% ND Filter or smaller than 1/2 of sub-pixel size will not be counted as a dot defect.



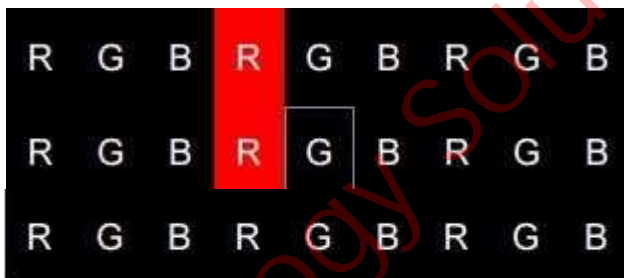
**Dark Dot:** Any single sub-pixel that does not light up in a white screen or another non-black screen is called a dark dot.



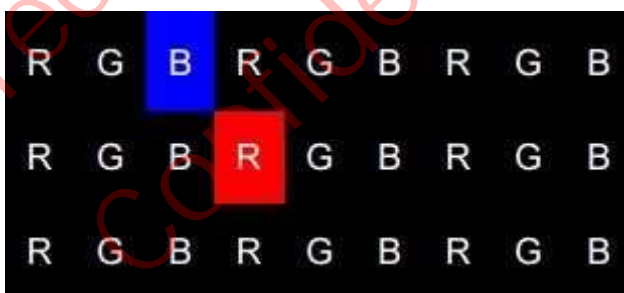
**Two adjacent dots (horizontal direction):** Use the bright dot illustration as an example to demonstrate two horizontal consecutive dots.



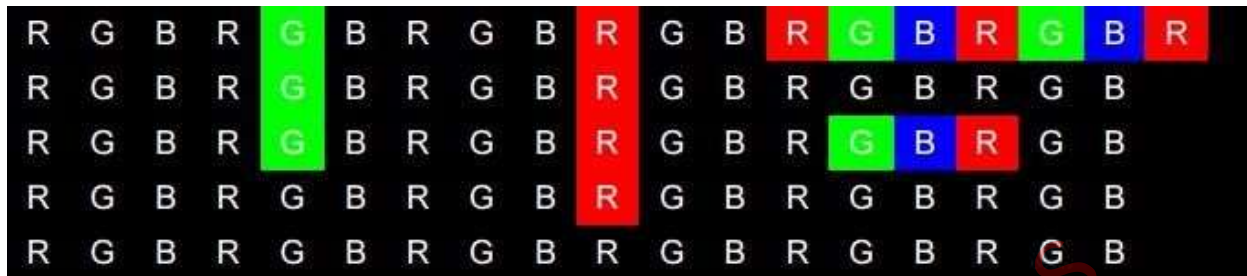
**Two adjacent dots (vertical direction):** Use the bright spot illustration as an example to demonstrate two vertical consecutive dots.



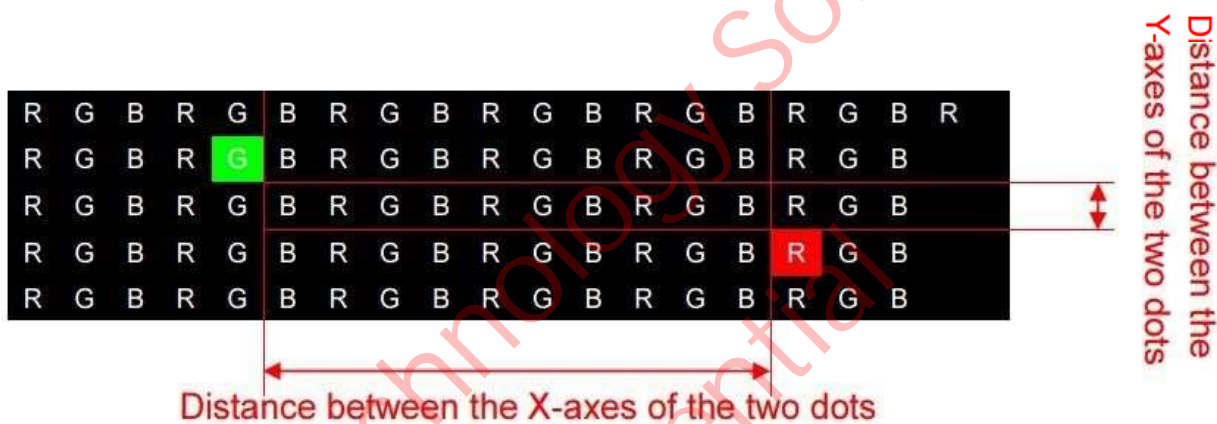
**Two adjacent dots (bevel direction):** Use the bright spot illustration as an example to demonstrate two consecutive dots in the bevel direction.



**Three or more adjacent dots (horizontal):** Use the bright spot illustration as an example to demonstrate three or more consecutive horizontal and vertical dots.



**Illustration of spacing between two dots:** (Distance is the relative distance between the X-axes of the two dots or the relative distance between the Y-axes of the two dots, whichever is larger)



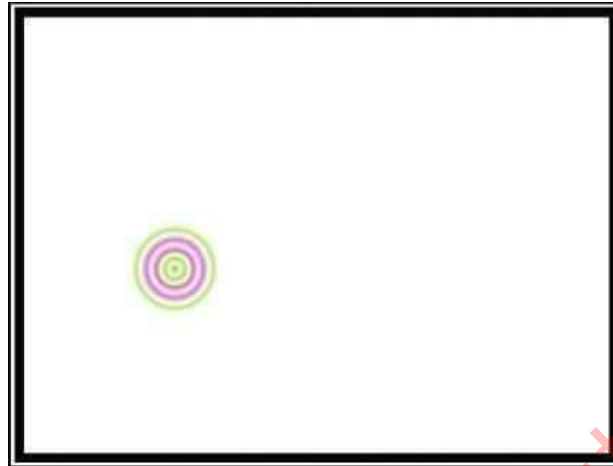
### Functional Test

The LCD display testing program should display the following screens in order: all red, all green, all blue, all white, all gray, all black.

### Inspection Requirements

After booting the system (single illumination), there are no non-display, unlit backlight, dark backlight, blinking, or other abnormal signs, and there are no bright lines, dark lines, or bright rims/leakage of light close to the LCD bezel.

## Newton's Ring



Under high temperature and high humidity conditions, uneven deformations caused by heat in different layers of the LCD module will result in the display of an all-white screen. However, this condition can be recovered when temperature is resumed under normal circumstances. A specific determination can be conducted according to the operating conditions and storage conditions defined in the product's technical specifications. Any exception will be negotiated and mutually agreed by both parties. (Ripples are not permitted at fixed locations. For ripples at non-fixed locations, they are OK if they disappear within two seconds.)

## LCD blaze

Uneven internal LCD installation, surface deformation of the LCD polarizer, internal structural interference of the LCD module, damaged LCD backlight plates, and other factors may cause partial fading of color on the LCD display. When observed from a certain incident angle (upper 10°, lower 3°, 40° on both sides), they will appear as white cicatrices, typically about the size of a grain of rice. In serious cases, they accumulate in large patches or stripes, appear in different degrees under various colors (red, blue, green, black, gray, white), and are especially obvious under an all- gray screen. Blazes with diameters  $\geq 0.5\text{mm}$  are not allowed: for those with diameters under 0.5 mm, 2 are acceptable if the space between them is  $\geq 15\text{mm}$ . Card chromatic aberration ratio versus ND Filter:  $1.0 + 0.3 \text{ standard} = 5\% \text{ ND}$  Filer (see definition of Mura).

## Mura

Mura refers to the unevenness and irregularity that is visible in the image. It is difficult for visual inspection to recognize the non-uniform brightness or mura. Mura detection is subjective and therefore doesn't have pass/fail criteria. There are several precautions to take which can avoid mura. Avoid high ambient temperatures around the module, frame warpage and high temperature operation over long periods of time. Utilize screen savers to avoid mura.

## Inspection Conditions

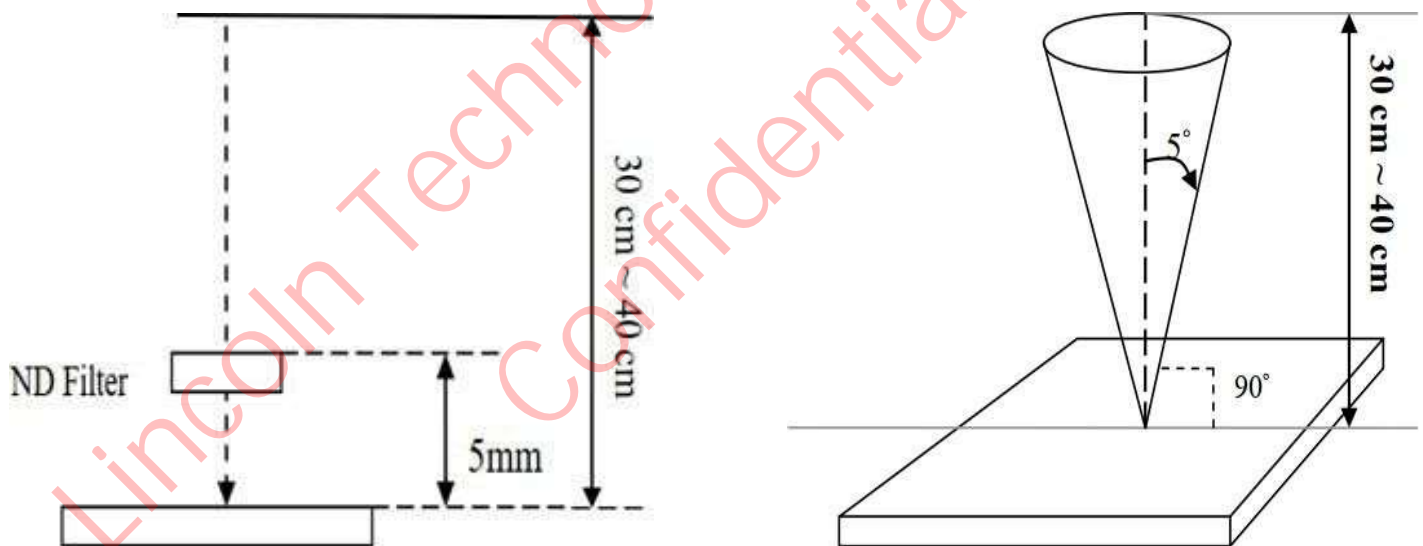
Inspection distance should be  $35\text{cm} \pm 5\text{cm}$  with a FujiFilm ND-LCD 5% filter approximately 5cm from the backlight surface.

Viewing angle:  $90^\circ \pm 5^\circ$ .

Room temperature:  $23 \pm 2^\circ\text{C}$

Humidity:  $60 \pm 10\%$

Inspection Ambient Illumination: 300-700 LUX





## Acceptance Criteria Table

There should be no corrosion or cracking, or an uneven coating layer on LCD display surface, and there should be no sign of coagulation, flaking, cracking, or wear. The definition of minor defects and acceptance criteria are shown in the following table:

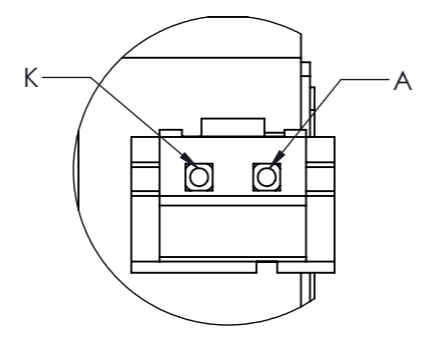
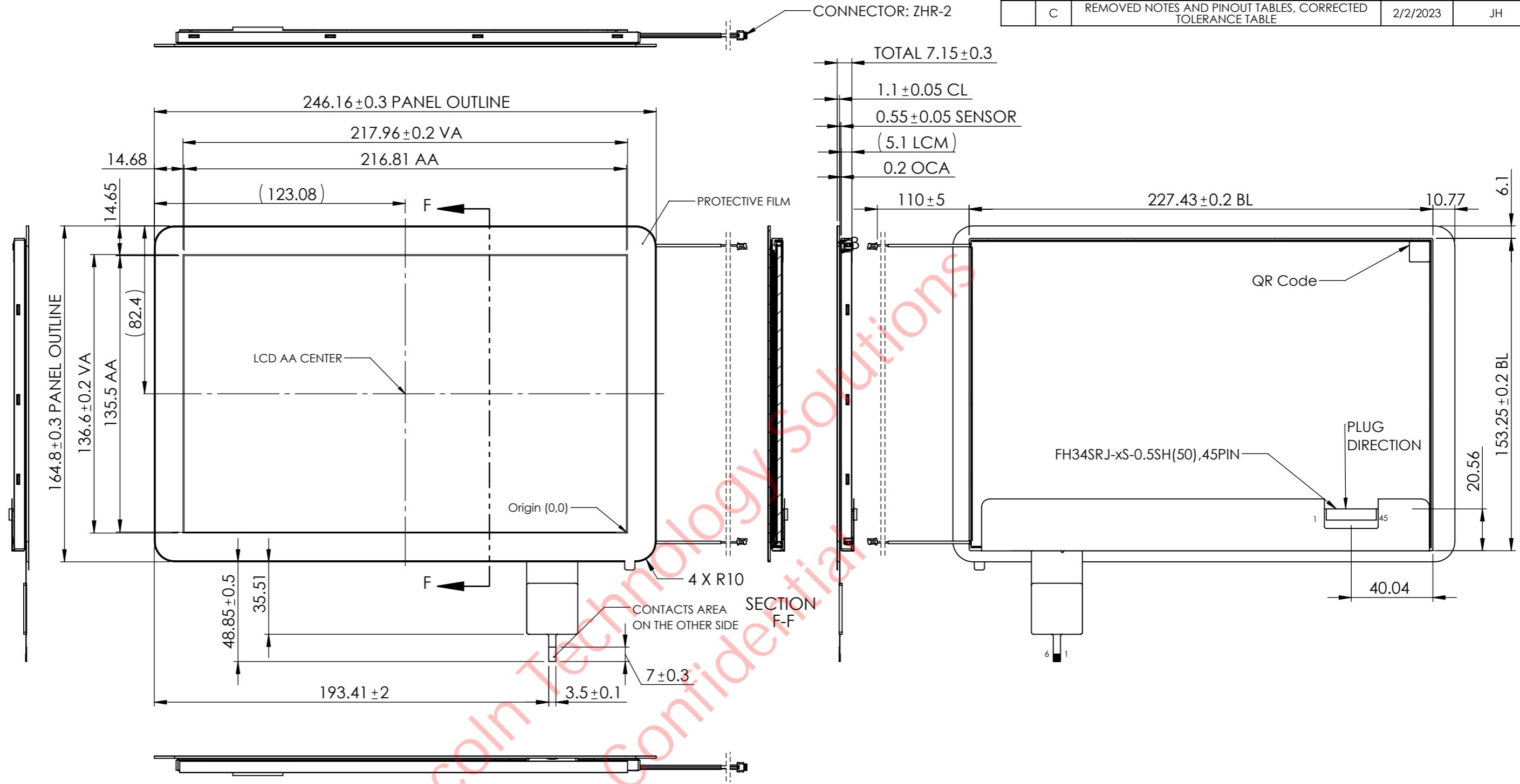
Item	Size	Unit	Acceptance qty.
Unfelt scratch visible with backlight off.	$W < 0.05$	m	Ignore
	$W > .05$ and $< .10$ $L > .3$ and $< 3.0$	m	4
	$W > .10$ or $L > 3.0$	m	none
	Visible with backlight on		none
Felt scratch	None allowed		
Dent visible with backlight off	$D < .2$	m	Ignore
	$D > .2$ and $< .5$	m	5
	Spacing between defects must be $> 30\text{mm}$		
	$D > .5$	m	none
	Visible with backlight on		none
Bubble visible with backlight off	$D < .2$	mm	Ignore
	$D > .2$ and $< .5$	m	5
	$D > .5$	m	none
	Visible with backlight on		none

Item	Size	Unit	Acceptance qty.
Foreign material (line shape) visible with backlight on	W > .05 and < .10 L > .3 and < 2.0	mm	4
	W > .10 or L > 2.0	mm	none
Foreign material (dot shape) visible with backlight on	D < .2	mm	Ignore
	D > .2 and < .5	mm	5
	D > .5	mm	none
Bright dot defect (lit)	1 dot	-	4
	2 adjacent dots	-	0
Dark dot defect (not lit)	1 dot	-	5
	2 adjacent dots	-	2
	3 adjacent dots	-	0

## Appendix 1: Mechanical Drawing

Lincoln Technology Solutions  
Confidential

REVISIONS			
ZONE/REV.	DESCRIPTION	DATE	APPROVED
A	INITIAL ISSUE	2022/9/5	QIN
B	UPDATED TITLE BLOCK FORMAT	2022/9/22	JH
C	REMOVED NOTES AND PINOUT TABLES, CORRECTED TOLERANCE TABLE	2/2/2023	JH



DETAILED VIEW B  
SCALE 6 : 1

GENERAL TOLERANCE TABLE (±MM)	
L ≤ 20	0.1
20 < L ≤ 50	0.2
50 < L ≤ 100	0.25
100 < L ≤ 200	0.3
L > 200	0.5
SCALE: 1:2	SHEET 1 OF 1
DO NOT SCALE DRAWING	

DRAWN BY: LH	DATE 2/2/2023
CHECKED BY: JH	DATE 2/2/2023
MATERIAL: N/A	
FINISH: N/A	
COMMENTS: ALL DIMENSIONS ARE IN MILLIMETERS.	



DESCRIPTION 10.1" HBWG W/PCAP W/OVERSIZED CL		
PART NO. LCD217-101CTL1ART	HW REV. 1.0	DRW REV. C

THE INFORMATION CONTAINED IN THIS DRAWING IS THE SOLE PROPERTY OF LINCOLN TECHNOLOGY SOLUTIONS (LTS) AND SHALL NOT BE REDISTRIBUTED. ANY REPRODUCTION IN PART OR AS A WHOLE WITHOUT THE WRITTEN PERMISSION OF LTS IS PROHIBITED.